

**GPE Technology (HK) Limited**

# **Standard UPS Introduction**



# UPS System

Our UPS can serve you in any application. Our products range from 1kVA to 3900kVA to meet your power consumption requirement. Along with the latest electronics, electrical and mechanical technology, our UPS is also equipped with industry leading communication and monitoring solution.





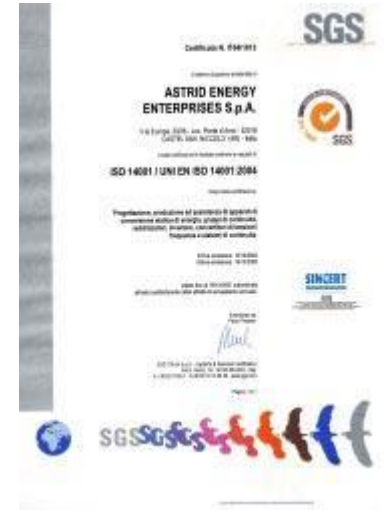
# ITALIA

Arezzo, Tuscany

# Certifications

ISO 9000

ISO 14001



**EMAS**

GESTIONE AMBIENTALE  
VERIFICATA  
reg. n. 1-000451

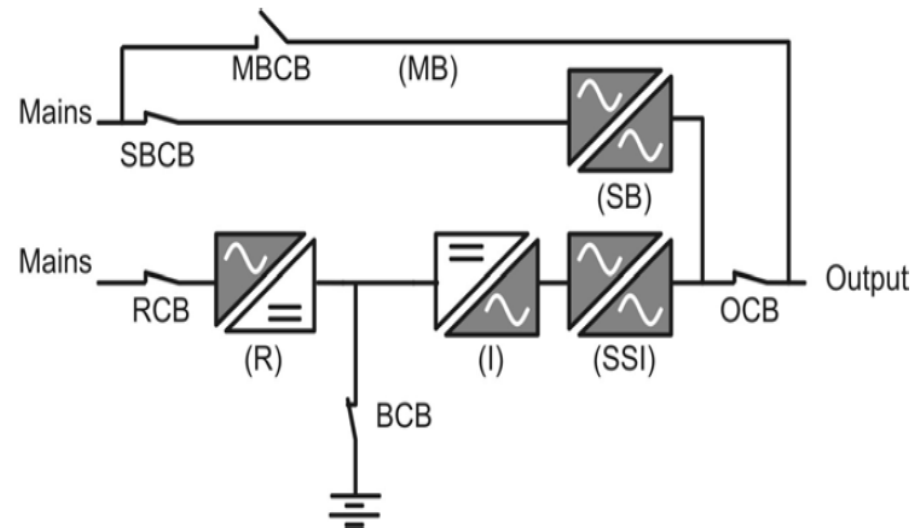
**EMAS**

# True Online UPS

- ◆ Online UPS Product Range
- ◆ 1kVA ~ 800kVA

1. Mini Series SU (1P/1P)  
1kVA, 2kVA, 3kVA, 6kVA,  
10kVA

2. Industrial UPS (3P/3P)  
10kVA ~ 800kVA



# Mini Series SU (1P/1P)



- ◆ Widely Installed in Hong Kong
- ◆ Built-in Output Isolation Transformer
- ◆ IGBT Inverted Technology
- ◆ Redundant Design
- ◆ High Reliability

SU1K~SU20K(Single in and Single out)

| Mode            | SU1K   | SU2K    | SU3K    | SU6K        | SU10K               | SU15K       | SU20K   |
|-----------------|--|---------|---------|-------------|---------------------|-------------|---------|
| Capacity(VA/W)  | 1K/0.8K  | 2K/1.6K | 3K/2.4K | 6K/4.8K     | 10K/8K              | 15K/12K     | 20K/16K |
| Input Voltage   | Single phase with two Lines+ground wire,220V±25% |         |         |             |                     |             |         |
| Battery Voltage | 96V  |         |         | 192V        |                     |             |         |
| Noise           | ≤ 52dB(Distance 1m)                              |         |         |             | ≤ 60dB(Distance 1m) |             |         |
| Size (W×D×Hmm)  | 550×214×500                                      |         |         | 530×264×592 |                     | 620×343×740 |         |
| Weight(Kg)      | 28   | 45      | 48      | 60          | 90                  | 120         | 130     |

SP6K~SP60K(Three- ins and Single out)

| Mode            | SP6K   | SP10K        | SP15K   | SP20K   | SP30K               | SP40K   | SP50K   | SP60K   |
|-----------------|--|--------------|---------|---------|---------------------|---------|---------|---------|
| Capacity(VA/W)  | 6K/4.8K  | 10K/8K       | 15K/12K | 20K/16K | 30K/24K             | 40K/32K | 50K/40K | 60K/48K |
| Input Voltage   | Three phase with four Lines+ground wire,380V±25% |              |         |         |                     |         |         |         |
| Battery Voltage | 192V   |              |         |         | 336V                |         |         |         |
| Noise           | ≤ 60dB(Distance 1m)                              |              |         |         | ≤ 65dB(Distance 1m) |         |         |         |
| Size (W×D×Hmm)  | 530×264×592                                      | 624×343×1100 |         |         | 650×700×1510        |         |         |         |
| Weight(Kg)      | 60   | 160          | 180     | 200     | 320                 | 370     | 450     | 540     |

- ◆ 10-15-20-30-40 kVA
- ◆ Internal Modular Design
- ◆ PFC IGBT Rectifier
- ◆ PWM IGBT Inverter
- ◆ Transformerless Technology
- ◆ 1+1 & N+1 up to 8 units

### Performances:

- THDi <4%
- Input Power Factor >0.99
- Efficiency >94%



# Infinity EVO





◆ 60-80-100-125-160 kVA

◆ PFC IGBT Rectifier

◆ PWM IGBT Inverter

◆ BUILT-IN Output Isolation Transformer

### Performances:

■ THDi <4%

■ Input Power Factor >0.99

■ Efficiency >94%

# Thetys EVO

- ◆ 200-250-300kVA
- ◆ PFC IGBT Rectifier
- ◆ PWM IGBT Inverter
- ◆ BUILT-IN Output Isolation Transformer

### Performances:

- THDi <4%
- Input Power Factor >0.99
- Efficiency >94%



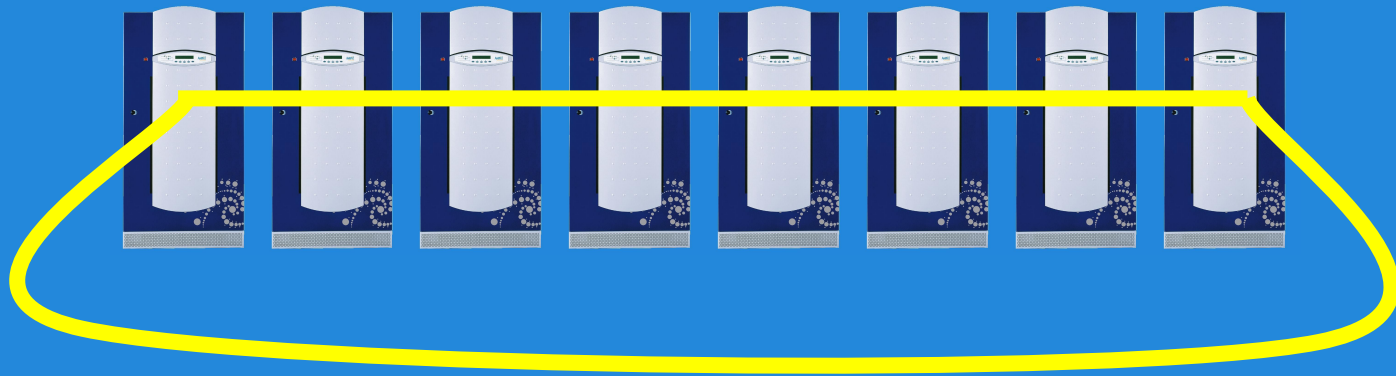
# Hyperion EVO

**400kVA**  
**500kVA**  
**600kVA**  
**800kVA**



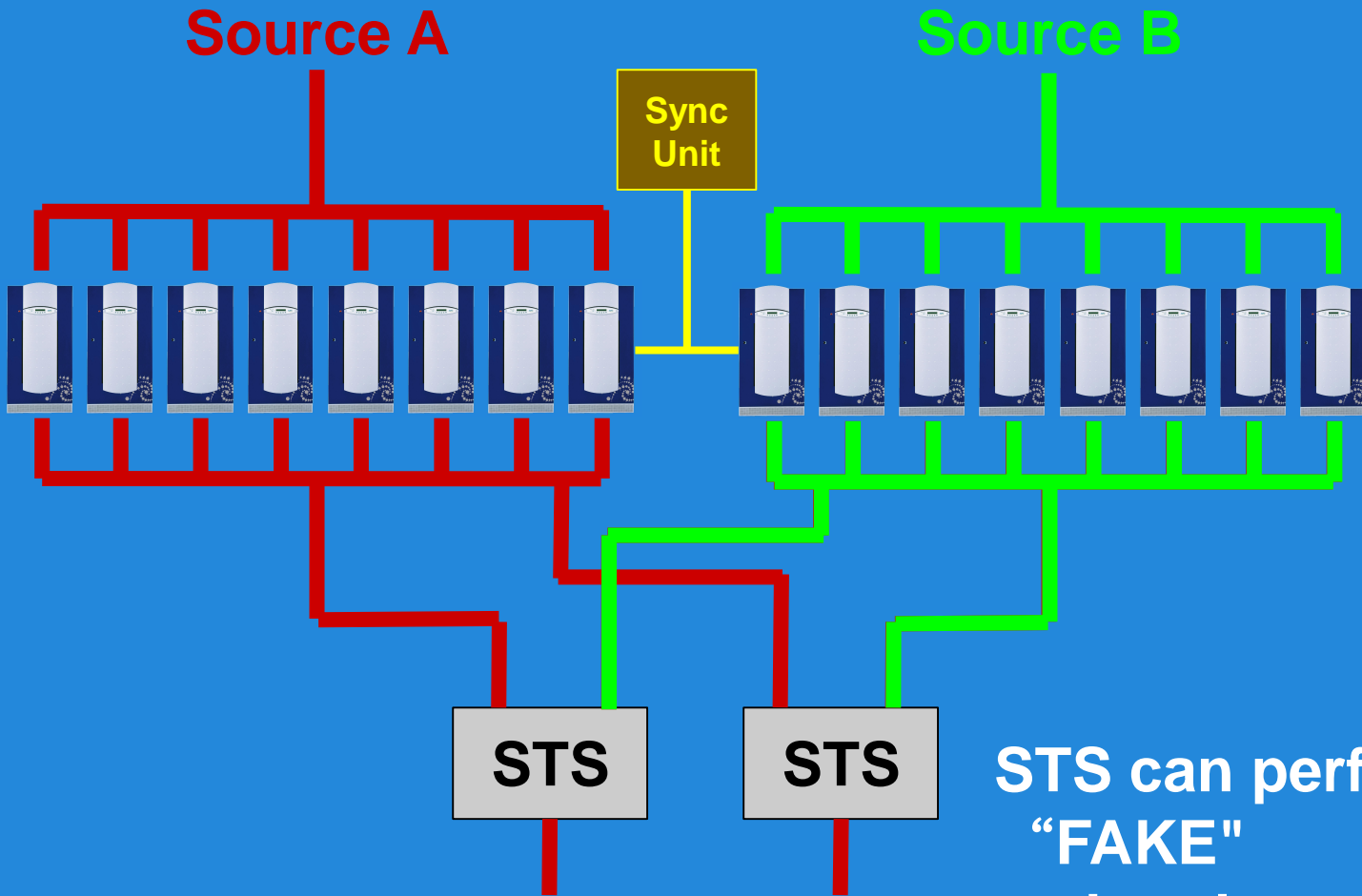
**Titan EVO**

# Single Group Parallel up to 8 units



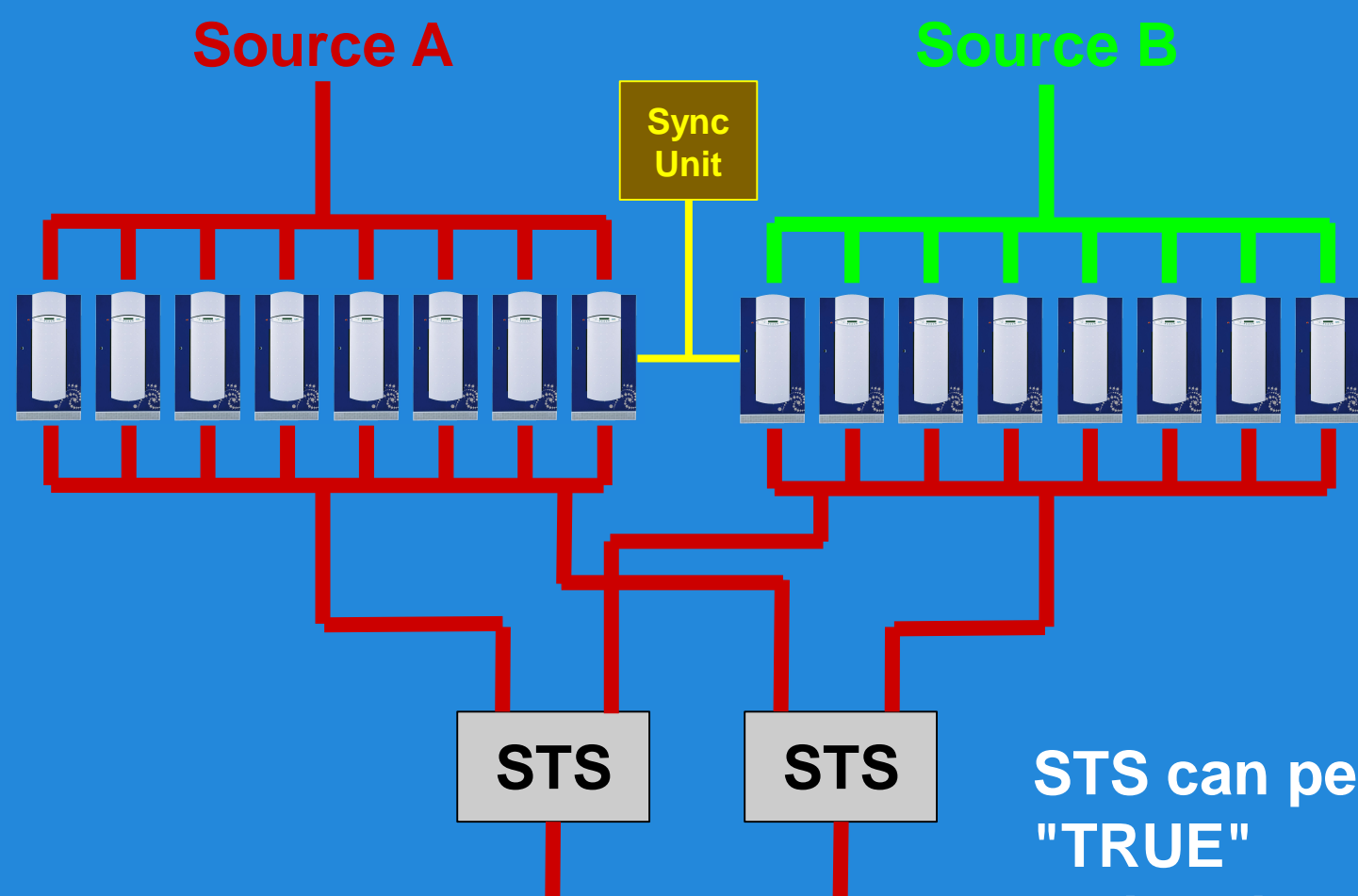
**CAN-Bus Military grade  
communication,  
NO single point of failure**

# True 2N Parallel Redundancy



STS can perform  
"FAKE"  
no break transfer

# True 2N Parallel Redundancy



STS can perform  
"TRUE"  
no break transfer

# Smart Parallel

Example: A 3+1 system with 4x 100kVA UPS

**>93.5%  
Overall  
Efficiency**

3 units in 2+1  
@83% load



250kVA Load

2 units in 1+1  
@75% load



150kVA Load

**>93%  
Overall  
Efficiency**

# Smart Parallel

Example: A 3+1 system with 4x 100kVA UPS

**>90.5%  
Overall  
Efficiency**

4 units in 3+1  
@62.5% load



250kVA Load

△ 3% ,  
= HK\$99,545/Yr  
@HK\$1/AmpHr

4 units in 3+1  
@37.5% load



150kVA Load

△ 8% ,  
= HK\$159,273/Yr  
@HK\$1/AmpHr

**~85%  
Overall  
Efficiency**



# Communication

- ◆ **Dry Contact / Relay Card**
- ◆ **RS232 / COM Card**
- ◆ **SNMP Network Card**

# Thank You

